

Appl. No. 09/838,552
Amdt. dated November 29, 2004
Reply to Office Action of July 29, 2004

PATENT

Amendments to the Drawings:

The attached sheets of drawings includes changes to Figs. 1, 4 and 5. These sheets, which include Figs. 1, 4, and 5, replace the original sheets including Figs. 1, 4 and 5.

Attachment: Replacement Sheets
Annotated Sheets Showing Changes



REPLACEMENT

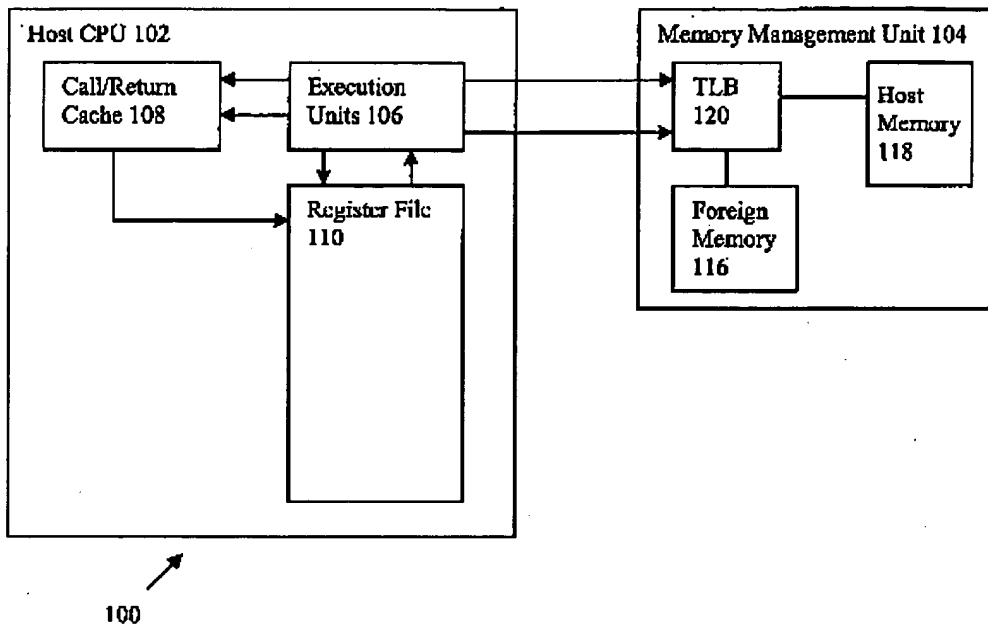


FIGURE 1



REPLACEMENT

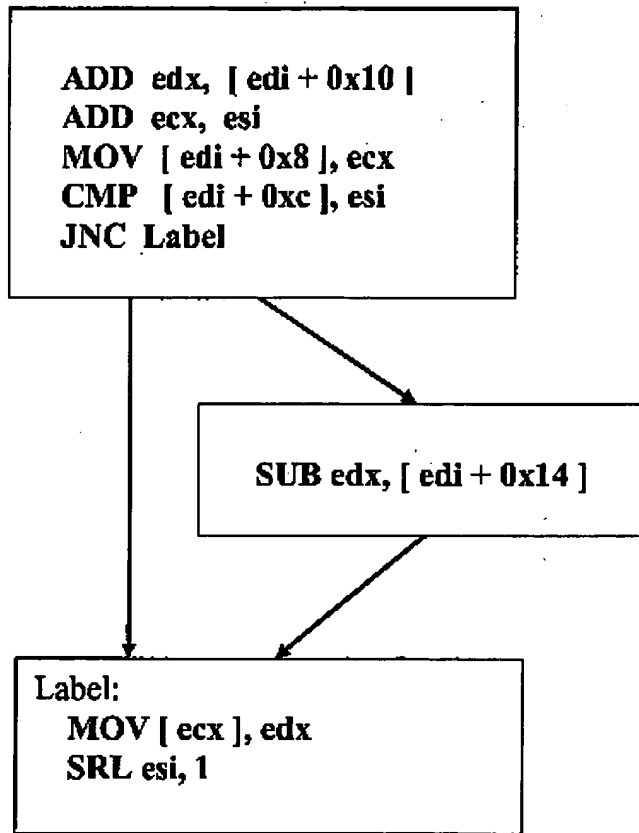


FIGURE 4



REPLACEMENT

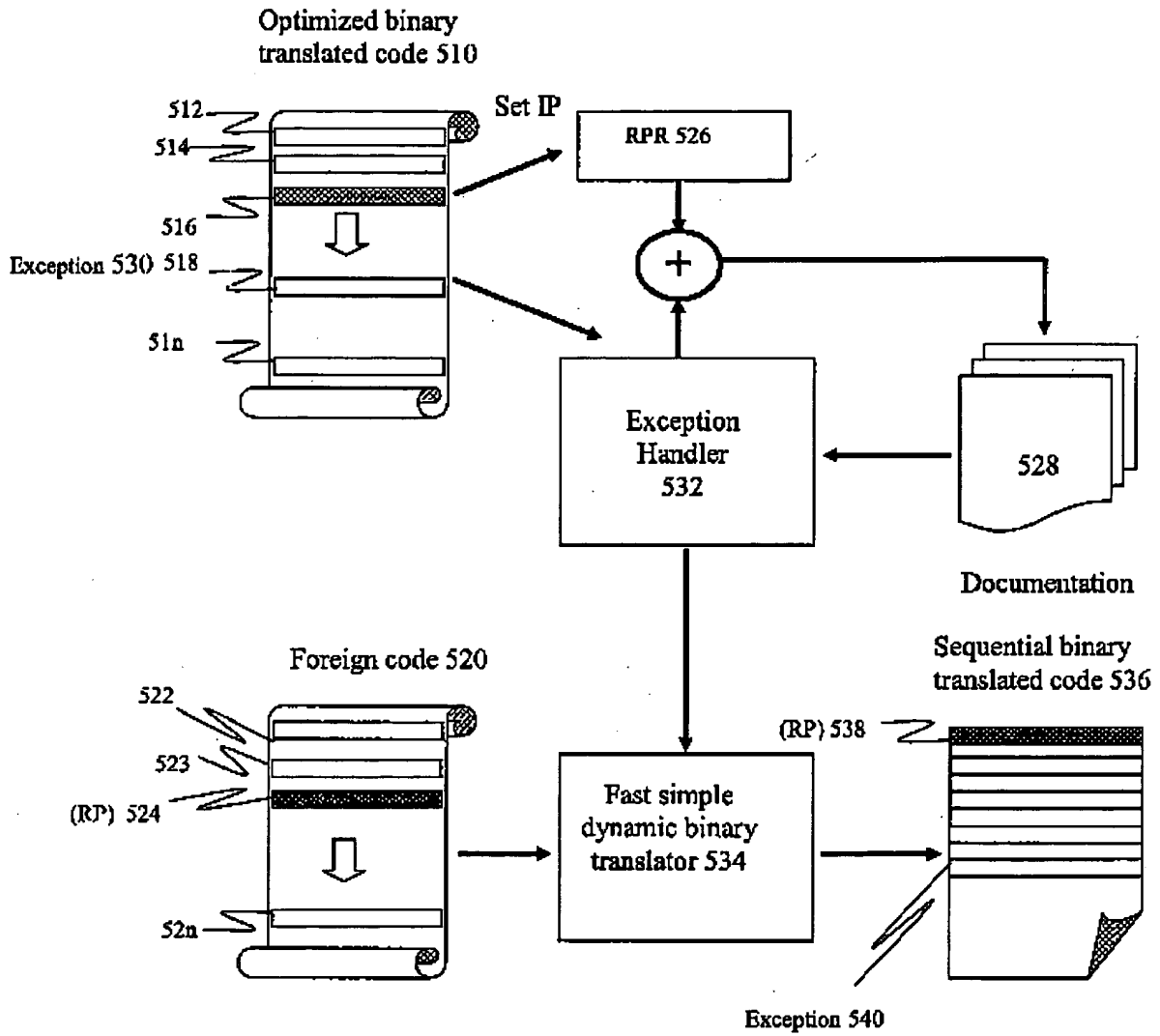


FIGURE 5